

KOXKA ICE VERTICALS

The Vertical Range — Merac, Selem and Perseo

As temperature control is so crucial in vertical cabinets, we've made sure the KOXKA ICE range excels. KOXKA ICE verticals come in 4 different temperature ranges to allow storage of meat, fruit, dairy or deli products. All models are available in a variety of front heights and display arrangements for true diversity, making them the perfect choice for all types of super- and hypermarkets.

With KOXKA ICE verticals, you get an attractive slim-line shelf design, more display depth, improved capacity and better lighting. We have responded to your request for anti-reflective lighting, with an improved aluminium canopy interior finish, enhancing the visibility of the products stored.

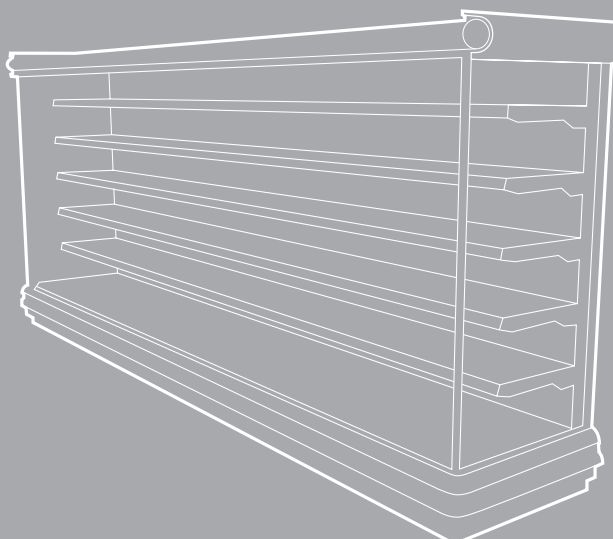
KOXKA ICE verticals are available in 2 heights, 3 depths and 3 fronts resulting in increased loading capacity and superior merchandising. Cases can be finished with panoramic, solid or mirrored interior end walls, enhancing the visibility of your products. There are 3 design formats: Merac is a bottom coil case; Selem, a low multideck and Perseo, offering roll-in functionality.

For great performance in verticals

KOXKA ICE verticals come in 4 different temperature models: 3MO, 3M1, 3M2 and 3H, offering real flexibility. Whatever your business sells, KOXKA ICE verticals can store it.

In research carried out by the University of Bristol for a major UK supermarket, KOXKA cabinets outperformed other refrigerated cabinets and is proven to keep produce at uniform temperatures throughout. What's more, superior airflow within the KOXKA cabinets meant less energy was required to keep products at their optimum temperature.

In keeping with the rest of the KOXKA ICE range, maintenance has never been easier. The design of the KOXKA ICE verticals means dismantling for cleaning or servicing requires no tools and a new canopy design allows easy access to controllers.



- HIGH VISIBILITY OF PRODUCTS
- INCREASED SHELF DEPTH
- FLOOR OPTIMISATION
- EASY TO CLEAN, MAINTAIN AND SERVICE
- MOTORISED OR MANUAL NIGHT CURTAIN FOR ENERGY EFFICIENCY
- CONTINUOUS BUMPERS
- MULTI-TICKET STRIP FRONT
- OPTIMISED CANOPY LIGHTING
- EVAPORATOR ON BASE DECK OR AT REAR
- NATURAL DEFROSTING
- ALUMINIUM PROFILE IN CANOPY TO AVOID BLINDING LIGHT REFLECTION



*When the heat is on,
Kokxa Ice Verticals
keep their cool*





Options & Accessories

Lighting

- Low consumption lighting
- High efficiency lighting
- Shelf lighting
- Double lighting canopy
- Lamp protection

End panels

- Panoramic
- Display
- Continuous
- Mirror
- Solid

Dividers

- Display
- Solid
- Mirror

Base Deck/Suction

- Suction protection grill
- Display front
- Divider base deck
- Base deck basket
- Base grill

Fans

- Plinth Fan
- Fan protection grill

Night covers and closed rears

- Manual night cover
- Electric night cover
- Rear closing
- Rear mirror

Interior

- Reinforced shelf
- Perspex shelf upstand
- Wire/Perspex shelf divider
- Mirror kit for meat and fruit
- Perspex fixed divider
- Sachet rack
- Deli bar & hooks
- Bar poster
- Ticket strip

Roll-In

- Lifting arms

Controls and sensors

- Electronic controls
- PT1000 sensor
- Woodley sensor

As with every type of cabinet in the KOXKA ICE range, there are a wide range of accessories and options to make your chosen cabinets fit your needs precisely.



→ ticket strip



→ shelf lighting



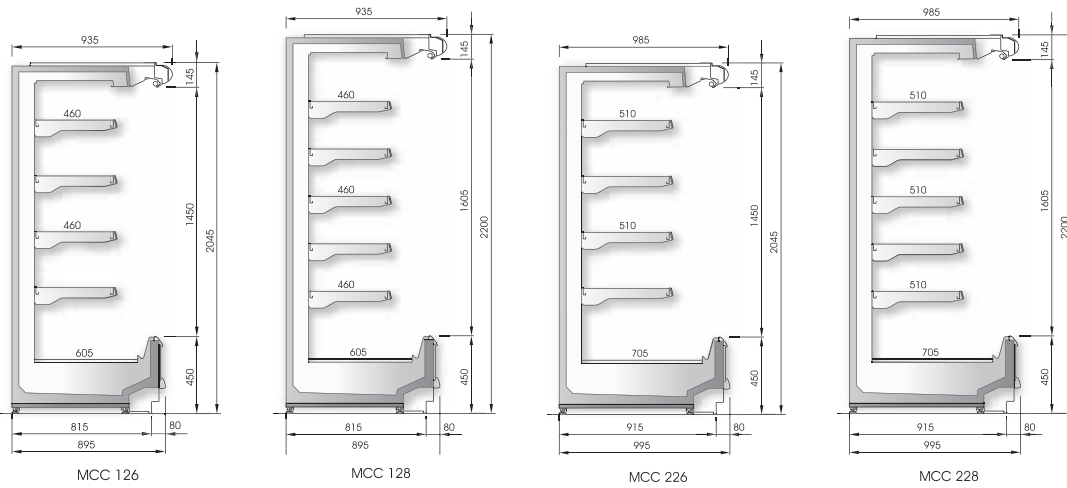
→ divider



For more information on accessories and options please contact Hussmann Koxka commercial department at hussmann_koxka@eu.irco.com

MERAC MEDIUM FRONT

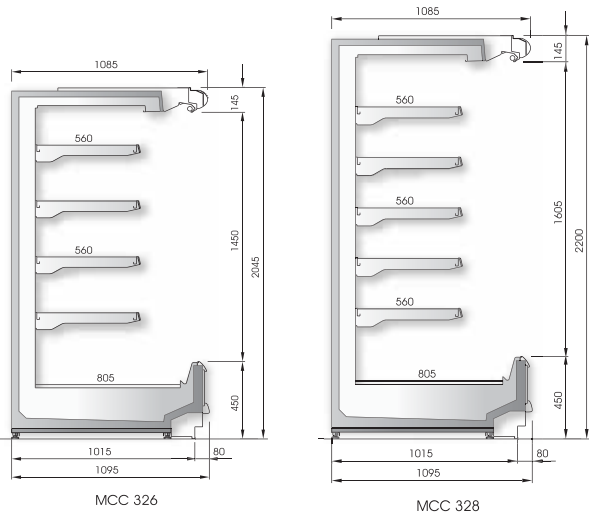
Vertical cabinet with bottom coil.



Merac

		MC*126 / MC*128					MC*226 / MC*228				
Standard module		2	3	4	6	C	2	3	4	6	C
Length [mm]		1250	1875	2500	3750		1250	1875	2500	3750	
Width 2 sides [mm]		170	170	170	170	-	170	170	170	170	-
Width Lateral [mm]		42	42	42	42	-	42	42	42	42	-
Refrigerated shelf surface [m ²]	MC**26	3,056	4,584	6,113	9,169	4,488	5,147	6,863	10,294		
	MC**28	3,631	5,447	7,263	10,894	5,322	6,103	8,138	12,206		
Net Volume [lt.]	MC**26	884	1326	1768	2651	1296	1486	1982	2972		
	MC**28	947	1421	1895	2842	1387	1591	2121	3182		
TDA – Total area display [m ²]	MC**26	2,024	3,037	4,079	6,074	2,731	3,132	4,176	6,265		
	MC**28	2,221	3,332	4,443	6,664	2,988	3,427	4,570	6,855		
Temperature range	MCD	[0 / +2°C]					[0 / +2°C]				
	MCL	[+2 / +4°C]					[+2 / +4°C]				
	MCC	[-1 / +1°C]					[-1 / +1°C]				
Ambient Conditions		Class 3 [25°C - 60% H.R.]					Class 3 [25°C - 60% H.R.]				





Merac

MC*326 / MC*328

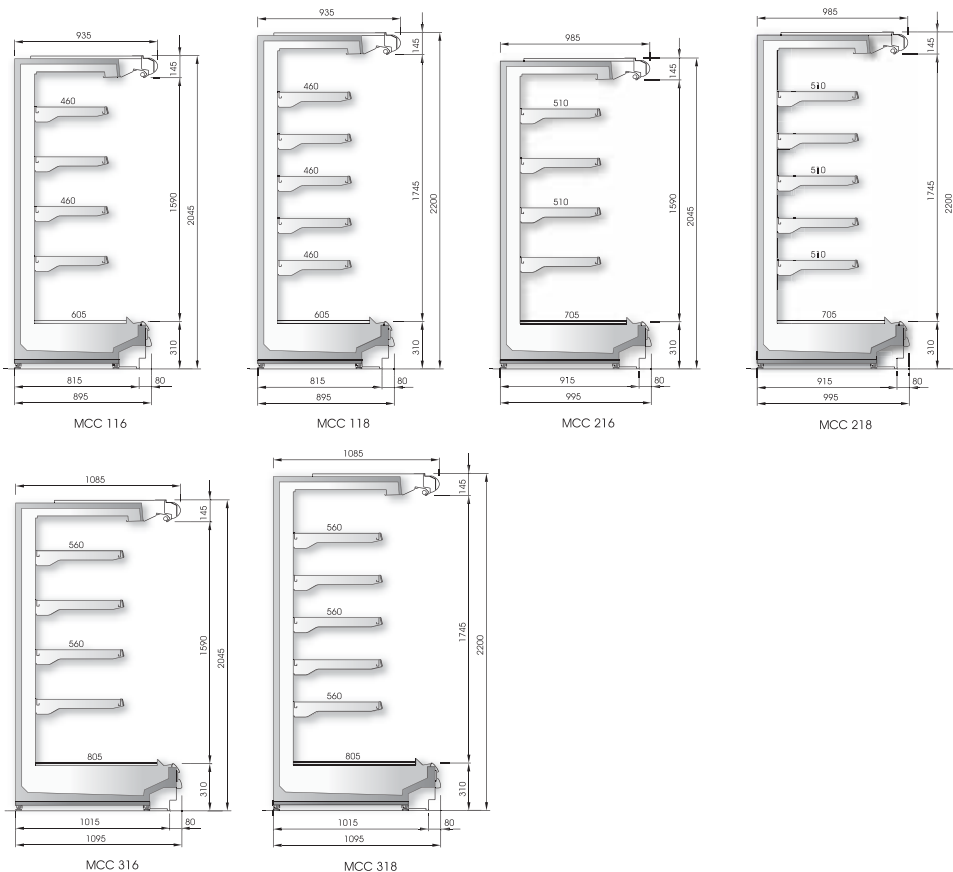
Standard module		2	3	4	6	C
Length [mm]		1250	1875	2500	3750	
Width 2 sides [mm]		170	170	170	170	-
Width Lateral [mm]		42	42	42	42	-
Refrigerated shelf surface [m ²]	MC**26		5,709	7,613	11,419	5,806
	MC**28		6,759	9,013	13,519	6,884
Net Volume [lt.]	MC**26		1775	2367	3550	1676
	MC**28		1907	2543	3814	1794
TDA – Total area display [m ²]	MC**26		3,227	4,303	6,455	3,533
	MC**28		3,522	4,696	7,045	3,866
Temperature range	MCD		[0 / +2°C]			
	MCL		[+2 / +4°C]			
	MCC		[-1 / +1°C]			
Ambient Conditions		Class 3 [25°C - 60% H.R.]				



Full technical information is available on CD-ROM.

MERAC LOW FRONT

Vertical cabinet with bottom coil.



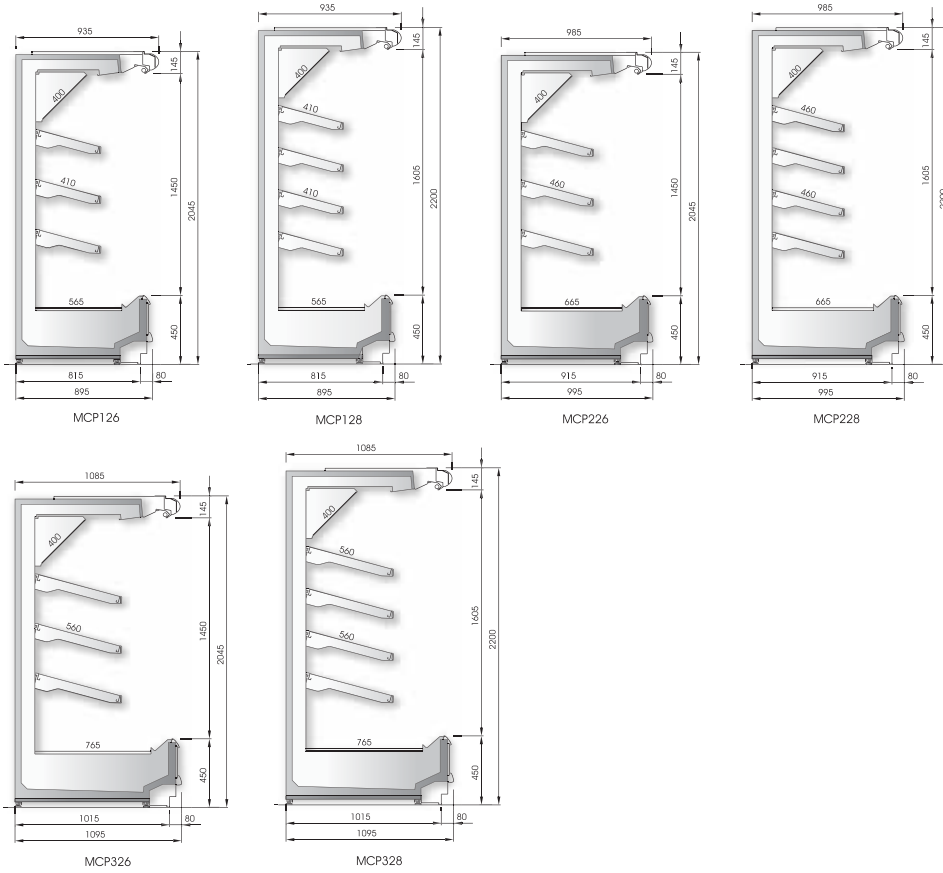
Merac

		MC*116 / MC*118			MC*216 / MC*218			MC*316 / MC*318		
Standard module		3	4	6	3	4	6	3	4	6
Length [mm]		1875	2500	3750	1875	2500	3750	1875	2500	3750
Width 2 sides [mm]		170	170	170	170	170	170	170	170	170
Width Lateral [mm]		42	42	42	42	42	42	42	42	42
Refrigerated shelf surface [m ²]	MC**16	4,584	6,113	9,169	5,147	6,863	10,294	5,709	7,613	11,419
	MC**18	5,447	7,263	10,894	6,103	8,138	12,206	6,759	9,013	13,519
Net Volume [lt.]	MC**16	1318	1758	2637	1477	1969	2953	1768	2357	3535
	MC**18	1414	1885	2827	1581	2108	3162	1897	2530	3795
TDA – Total area display [m ²]	MC**16	3,248	4,331	6,497	3,343	4,458	6,687	3,438	4,585	6,877
	MC**18	3,539	4,719	7,079	3,634	4,846	7,269	3,730	4,973	7,460
Temperature range	MCD	[0 / +2°C]			[0 / +2°C]			[0 / +2°C]		
	MCL	[+2 / +4°C]			[+2 / +4°C]			[+2 / +4°C]		
	MCC	[-1 / +1°C]			[-1 / +1°C]			[-1 / +1°C]		
Ambient Conditions		Class 3 [25°C - 60% H.R.]			Class 3 [25°C - 60% H.R.]			Class 3 [25°C - 60% H.R.]		



MERAC PERFORMER

Vertical cabinet with bottom coil.



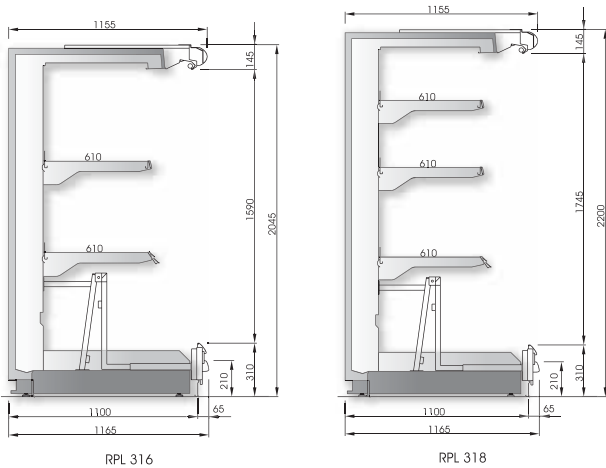
Merac	MCP 126 / MCP 128					MCP 226 / MCP 228			MCP 326 / MCP 328			
	2	3	4	6	C	3	4	6	3	4	6	C
Standard module	2	3	4	6	C	3	4	6	3	4	6	C
Length [mm]	1250	1875	2500	3750		1875	2500	3750	1875	2500	3750	
Width 2 sides [mm]	170	170	170	170	-	170	170	170	170	170	170	-
Width Lateral [mm]	42	42	42	42	-	42	42	42	42	42	42	-
Refrigerated shelf surface [m ²]	MCP*26 2,244 MCP*28 2,756	3,366 4,134	4,488 5,513	6,731 8,269	3,344 4,096	3,834 4,697	5,113 6,263	7,669 9,394	4,584 4,884	6,113 6,513	9,169 9,769	4,325 5,298
Net Volume [lt.]	MCP*26 698 MCP*28 755	1047 1132	1396 1510	2093 2264	1045 1128	1199 1294	1599 1726	2398 2588	1471 1579	1962 2105	2943 3158	1352 1460
TDA – Total area display [m ²]	MCP*26 2,031 MCP*28 2,227	3,046 3,341	4,062 4,455	6,093 6,683	2,739 2,997	3,142 3,437	4,189 4,582	6,284 6,874	3,142 3,437	4,189 4,582	6,284 6,874	3,544 3,876
Temperature range	[-1 / 0°C]					[-1 / 0°C]			[-1 / 0°C]			
Ambient Conditions	Class 3 [25°C - 60% H.R.]					Class 3 [25°C - 60% H.R.]			Class 3 [25°C - 60% H.R.]			



Full technical information is available on CD-ROM.

PERSEO ROLL-IN

Vertical cabinet with roll-in functionality, for easy replenishment of dairy products.

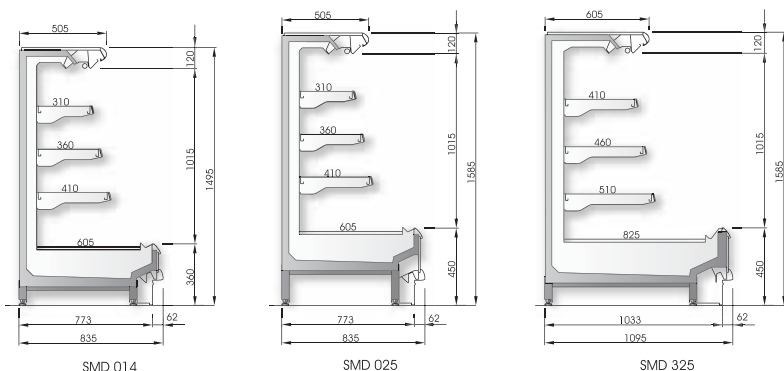


Perseo		RPL 316 / RPL 318					
		3	4	6	E1	E	CA
Standard module		3	4	6	E1	E	CA
Length [mm]		1875	2500	3750	1375	2750	2360
Width 2 Sides [mm]		170	170	170	170	170	-
Refrigerated shelf surface [m ²]	RPL 316	3,713	5,013	7,613	5,533	2,673	4,576
	RPL 318	4,802	6,483	9,845	7,155	3,457	5,918
Net Volume [lt.]	RPL 316	2496	3328	4991	3660	1830	2928
	RPL 318	2631	3508	5261	3858	1929	3087
TDA – Total area display [m ²]	RPL 316	3,501	4,669	7,003	5,135	2,567	4,108
	RPL 318	3,796	5,062	7,593	5,568	2,784	4,454
Temperature range		[+2 / +4°C]					
Ambient Conditions		Class 3 [25°C - 60% H.R.]					



SELEM DELI

Low multideck version for deli products.



Selem Deli		SMD 014 / SMD 025 / SMD 325				
		2	3	4	6	C
Standard module		2	3	4	6	C
Length [mm]		1250	1875	2500	3750	1675
Width 2 Sides [mm] - Full panoramic		170	170	170	170	-
Width sides opaque, mirror [mm]		42	42	42	42	-
Refrigerated shelf surface [m ²]	SMD 0*	2,106	3,159	4,213	6,319	2,554
	SMD 325	-	4,134	5,513	8,269	4,664
Net Volume [lt.]	SMD 0*	465	697	929	1394	563
	SMD 325	-	919	1225	1837	1036
TDA – Total area display [m ²]	SMD 0*	1,541	2,312	3,083	4,624	1,869
	SMD 325	-	2,567	3,423	5,134	2,895
Temperature range		[0 / +2°C]				
Ambient Conditions		Class 3 [25°C - 60% H.R.]				



Full technical information is available on CD-ROM.