

# KOXKA ICE COUNTERS

*Refrigerated Service Counters — Valya, Vienna, Volans, Venus and Silver*

The KOXKA ICE range of display counters is tailor-made to answer the needs of today's shopkeepers and is ideal for delicatessens, traditional shops and supermarkets. These cabinets can be used either for the sale of items that need to be weighed or cut, by traditional service, or for the self-service sale of pre-packed food. The flexible superstructure offers more possibilities than ever with products benefitting from enlarged display area and improved lighting, all adding up to a better customer experience and excellent all-round product visibility.

## **More choice for you and your customers**

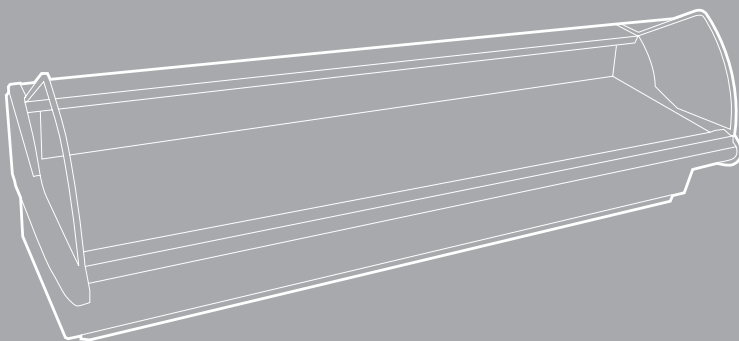
The KOXKA ICE range of counters offers superb choice and flexibility. Cabinets are available in three types of glass frame structure: front arm [lift or tilt], rear arm [lift] and without structure. Front arm structure enables easy access to the product while front arm tilted counters can easily be converted to self-service or traditional service model. The rear arm version ensures total visibility of the displayed products, while counters without structure combine both advantages: better access and better product visibility.

A reduced front panel optimises product visibility and an adjustable tilting base deck adapts to product formats, ensuring superb product presentation.

Additionally, all KOXKA ICE counters have panoramic full glass end panels.

Merchandising space has been improved - a choice of two display depths is offered: 860cm and 940cm, optimising the ratio of displayed product to occupied floor surface.

For more flexible floor planning, the standard counter range can be complemented with a low multideck or with spherical cornered counters. A series of high capacity models are also available, comprising counters for frozen/hot food and a double refrigerated island.



- ATTRACTIVE DESIGN
- INCREASED LOAD CAPACITY
- UP TO 24% ENERGY SAVING
- CONFORMS TO EN441 [ISO 23953] - 3M1
- SAFETY GLASS
- ERGONOMIC FOR BOTH CUSTOMERS AND SHOP PERSONNEL



*Designed to be seen*



### Serving up our best performers yet

The KOXKA ICE counter range looks fantastic, but we haven't forgotten performance and efficiency either. From Vienna to Valya, our new counters use up to 24% less energy and offer more accurate temperature control. What's more, all lighting is protected by UVP polycarbonate sheets improving the lifetime of fresh food by up to one and a half times compared to standard lighting\*\*.

They're also easier to clean and maintain with stylish aluminium profiles, continuous flexible bumpers and no visible screws. Innovative technology has been employed to improve performance and safety with a rear evaporator, standard stainless steel base deck and a waterproof protected fan box. All KOXKA ICE counters can be dismantled without tools.

Design, performance and flexibility are the key features for the KOXKA ICE counter range

\*\* Independent research carried out by the University of Zaragoza [Spain].





## Options & Accessories

### Lighting

- Upper double lighting electronic ballast
- Kick-plate high efficiency lighting

### Base Decks

- Stainless Steel Base deck
- Base deck 2/3 levels

### Dividers

- Central display divider
- Fixed Perspex divider
- Mobile Perspex divider
- Sideways divider

### Work Top accessories

- 280 mm Work top
- Intermediate shelf
- Adjustable grill/Stainless steel grill
- Knife holder
- Roll holder
- Bag hooks
- Paper basket
- Waste bin
- Adhesive ticket strip
- Scales/Cutting machine support
- Water supply
- Sockets
- Stainless steel bumper

### Low Multideck Silver

- Rear closing
- Night cover
- Reinforced shelf
- Perspex shelf upstand

### Other

- Display deck condensing unit
- Castors
- Refrigerated storage
- Plots

With every type of cabinet in the KOXKA ICE range, there is a wide range of accessories and options, to make your chosen cases fit your needs precisely.

All counter models come with a thermostat controller, automatic defrost by timer, anti-condenser heater on the front glass and a temperature display.



→ scale



→ bag holder



→ plot



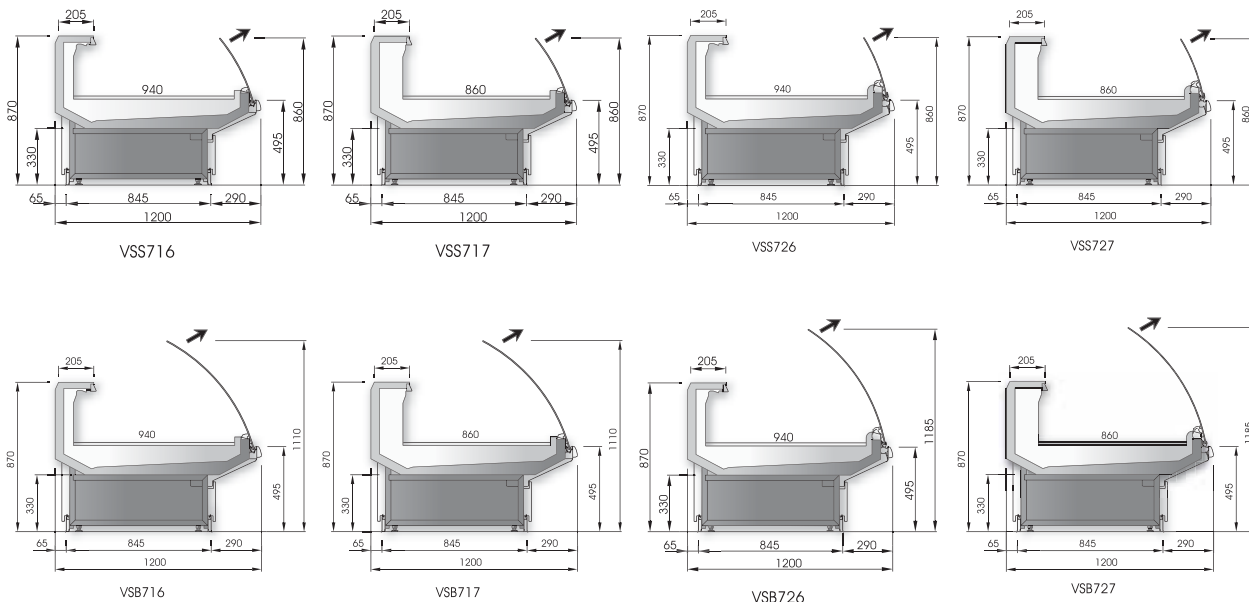
→ divider



For more information on accessories and options please contact Hussmann Koxka commercial department at [hussmann\\_koxka@eu.irco.com](mailto:hussmann_koxka@eu.irco.com)

# VENUS

Counter without frame enables optimised product visibility.  
Easily convertible from traditional service to self-service.

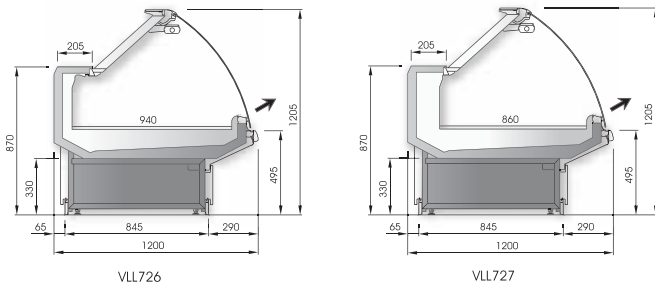


Venus	VSS 716 / VSS 717 / VSS 726 / VSS 727																																	
	VSB 716 / VSB 717 / VSB 726 / VSB 727																																	
Standard module	1.5	2	3	4	5	6																												
Length [mm]	937,5	1250	1875	2500	3125	3750																												
Width Side [mm]	50	50	50	50	50	50																												
Refrigerated shelf surface [m <sup>2</sup> ]	<table border="1"> <tr> <td>VSS 716/VSS 726</td> <td>0,882</td> <td>1,176</td> <td>1,764</td> <td>2,353</td> <td>2,941</td> <td>3,529</td> </tr> <tr> <td>VSB 716/VSB 726</td> <td></td> <td></td> <td></td> <td></td> <td></td> <td></td> </tr> <tr> <td>VSS 717/VSS 727</td> <td>0,807</td> <td>1,076</td> <td>1,614</td> <td>2,153</td> <td>2,691</td> <td>3,229</td> </tr> <tr> <td>VSB 717/VSB 727</td> <td></td> <td></td> <td></td> <td></td> <td></td> <td></td> </tr> </table>						VSS 716/VSS 726	0,882	1,176	1,764	2,353	2,941	3,529	VSB 716/VSB 726							VSS 717/VSS 727	0,807	1,076	1,614	2,153	2,691	3,229	VSB 717/VSB 727						
VSS 716/VSS 726	0,882	1,176	1,764	2,353	2,941	3,529																												
VSB 716/VSB 726																																		
VSS 717/VSS 727	0,807	1,076	1,614	2,153	2,691	3,229																												
VSB 717/VSB 727																																		
Net Volume [lt.]	<table border="1"> <tr> <td>VSS 716/VSS 726</td> <td>200</td> <td>267</td> <td>400</td> <td>533</td> <td>666</td> <td>800</td> </tr> <tr> <td>VSB 716/VSB 726</td> <td></td> <td></td> <td></td> <td></td> <td></td> <td></td> </tr> <tr> <td>VSS 717/VSS 727</td> <td>183</td> <td>244</td> <td>365</td> <td>487</td> <td>609</td> <td>731</td> </tr> <tr> <td>VSB 717/VSB 727</td> <td></td> <td></td> <td></td> <td></td> <td></td> <td></td> </tr> </table>						VSS 716/VSS 726	200	267	400	533	666	800	VSB 716/VSB 726							VSS 717/VSS 727	183	244	365	487	609	731	VSB 717/VSB 727						
VSS 716/VSS 726	200	267	400	533	666	800																												
VSB 716/VSB 726																																		
VSS 717/VSS 727	183	244	365	487	609	731																												
VSB 717/VSB 727																																		
TDA – Total area display [m <sup>2</sup> ]	<table border="1"> <tr> <td>VSS 716/VSS 726</td> <td>0,927</td> <td>1,236</td> <td>1,853</td> <td>2,471</td> <td>3,089</td> <td>3,707</td> </tr> <tr> <td>VSB 716/VSB 726</td> <td>0,897</td> <td>1,196</td> <td>1,794</td> <td>2,392</td> <td>2,990</td> <td>3,589</td> </tr> <tr> <td>VSS 717/VSS 727</td> <td>0,908</td> <td>1,210</td> <td>1,816</td> <td>2,421</td> <td>3,026</td> <td>3,631</td> </tr> <tr> <td>VSB 717/VSB 727</td> <td>0,875</td> <td>1,167</td> <td>1,750</td> <td>2,333</td> <td>2,917</td> <td>3,500</td> </tr> </table>						VSS 716/VSS 726	0,927	1,236	1,853	2,471	3,089	3,707	VSB 716/VSB 726	0,897	1,196	1,794	2,392	2,990	3,589	VSS 717/VSS 727	0,908	1,210	1,816	2,421	3,026	3,631	VSB 717/VSB 727	0,875	1,167	1,750	2,333	2,917	3,500
VSS 716/VSS 726	0,927	1,236	1,853	2,471	3,089	3,707																												
VSB 716/VSB 726	0,897	1,196	1,794	2,392	2,990	3,589																												
VSS 717/VSS 727	0,908	1,210	1,816	2,421	3,026	3,631																												
VSB 717/VSB 727	0,875	1,167	1,750	2,333	2,917	3,500																												
Temperature range	[-1 / +1°C]																																	
Ambient Conditions	Class 3 [25°C - 60% H.R.]																																	



## VALYA

Counter with rear arm structure and liftable glass panel.



### Valya

#### VLL 726 / VLL 727

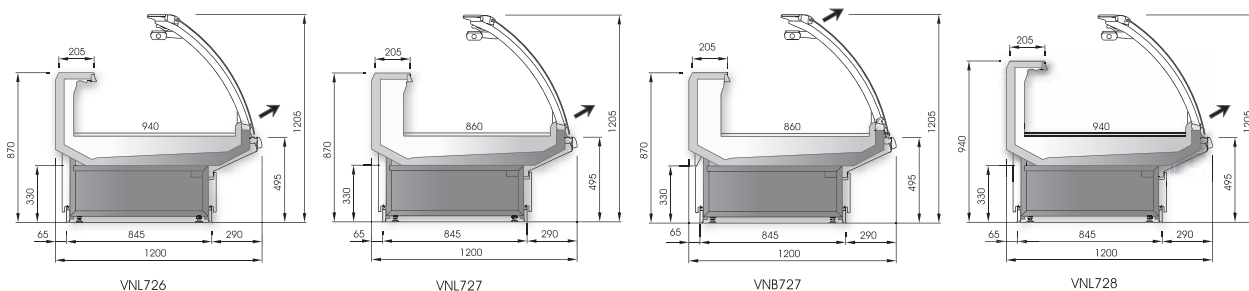
Standard module		1.5	2	3	4	5	6
Length [mm]		937,5	1250	1875	2500	3125	3750
Width Side [mm]		50	50	50	50	50	50
Refrigerated shelf surface [m <sup>2</sup> ]	VLL 726	0,882	1,176	1,764	2,353	2,941	3,529
	VLL 727	0,807	1,076	1,614	2,153	2,691	3,229
Net Volume [lt.]	VLL 726	200	267	400	533	666	800
	VLL 727	183	244	365	487	609	731
TDA – Total area display [m <sup>2</sup> ]		0,666	0,898	1,362	1,826	2,290	2,754
Temperature range		[-1 / +1°C]					
Ambient Conditions		Class 3 [25°C - 60% H.R.]					



Full technical information is available on CD-ROM.

## VIENNA

Counter with front arm structure and liftable glass panel.

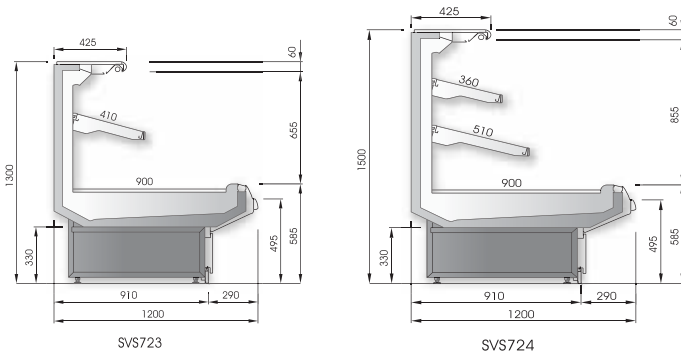


Vienna		VNL 726 / VNL 727 / VNB 727 / VNL 728					
Standard module		1.5	2	3	4	5	6
Length [mm]		937,5	1270	1875	2500	3125	3750
Width Side [mm]		50	50	50	50	50	50
Refrigerated shelf surface [m <sup>2</sup> ]	VNL 726	0,882	1,176	1,764	2,353	2,941	3,529
	VNL 727/VNB 727	0,807	1,076	1,614	2,153	2,691	3,229
	VNL 728	0,882	1,176	1,764	2,353	-	3,529
Net Volume [lt.]	VNL 726	198	264	397	529	661	793
	VNL 727/VNB 727	181	241	362	483	603	724
	VNL 728	255	340	510	680	-	1020
TDA – Total area display [m <sup>2</sup> ]	VNL 726/VNL 727	0,652	0,884	1,348	1,812	2,276	2,74
	VNB 727						
	VNL 728	0,705	0,957	1,461	1,965	-	2,973
Temperature range		[-1 / +1°C]					
Ambient Conditions		Class 3 [25°C - 60% H.R.]					



## SILVER

Low multideck counter type for self-service of dairy, cold meat and other pre-packed refrigerated food products.



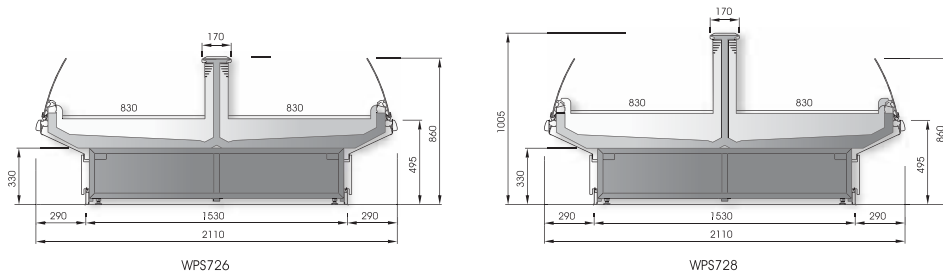
Silver		SVS 723 / SVS 724				
		2	3	4	6	C
Standard module		2	3	4	6	C
Length [mm]		1250	1875	2500	3750	2420
Width 2 sides [mm]		170	170	170	170	-
Refrigerated shelf surface [m <sup>2</sup> ]	SVS 723	1,769	2,653	3,538	5,306	3,198
	SVS 724	2,219	3,328	4,438	6,656	4,012
Net Volume [lt.]	SVS 723	389	583	778	1166	703
	SVS 724	484	726	968	1451	875
TDA – Total area display [m <sup>2</sup> ]	SVS 723	1,488	2,232	2,976	4,464	2,690
	SVS 724	1,741	2,612	3,483	5,225	3,149
Temperature range		[-1 / +1°C]				
Ambient Conditions		Class 3 [25°C - 60% H.R.]				



 Full technical information is available on CD-ROM.

## VOLANS

Double self-service counter - for high capacity product storage.



### Volans

#### WPS 726 / WPS 728

		3	4	6
Standard module		3	4	6
Length [mm]		1875	2500	3750
Width Side [mm]		50	50	50
Refrigerated shelf surface [m <sup>2</sup> ]		3,114	4,153	6,229
Net Volume [lt.]	WPS 726	689	919	1378
	WPS 728	996	1328	1991
TDA – Total area display [m <sup>2</sup> ]	WPS 726	1,830	2,440	3,660
	WPS 728	2,070	2,760	4,136
Temperature range		[-1 / +1°C]		
Ambient Conditions		Class 3 [25°C - 60% H.R.]		



Full technical information is available on CD-ROM.

