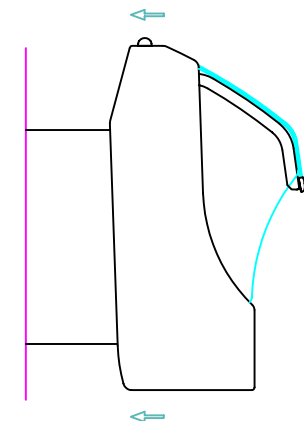
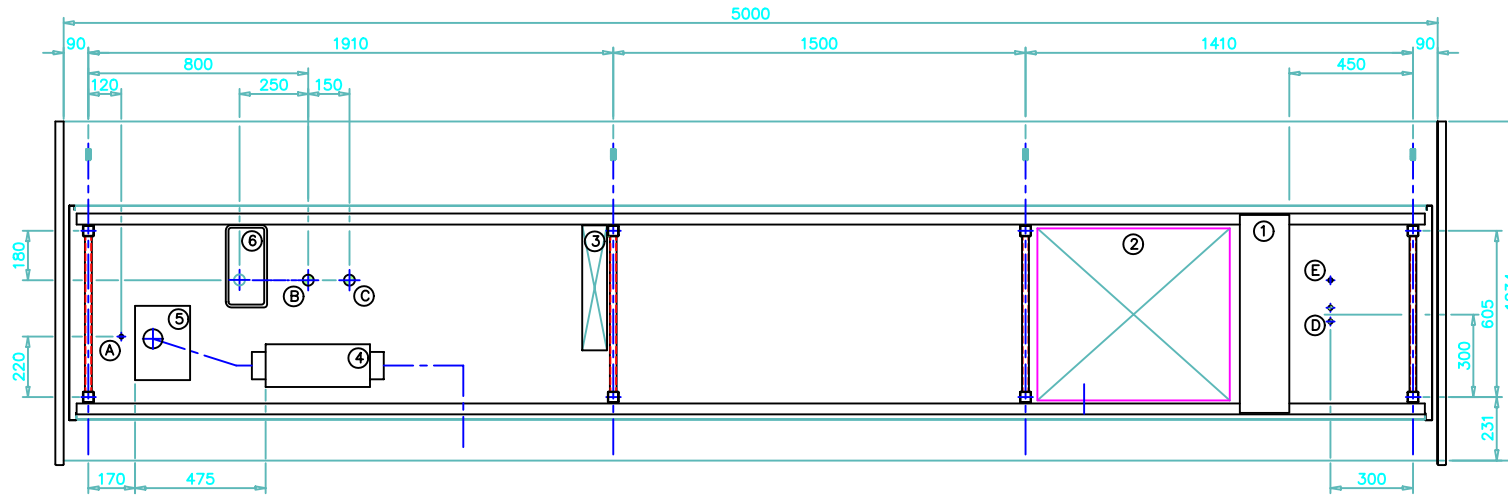


Drawing No.: PRSA4-014	Issue: -	Issue Date:
------------------------	----------	-------------

Rev	Description	Date
-----	-------------	------

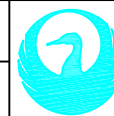


Vision 5000 Floor plan
Waitrose L=5000

- Ⓐ Water connection valve (d=15)
- Ⓑ Drain connection humidifier unit (d=40)
- Ⓒ Drain connection (d=40)
- Ⓓ Refrigeration Connections
- Ⓔ Electrical Supply Connection
- ① Cooling valve panel
- ② Main connection box
- ③ Lighting ballast box
- ④ Filterbox humidifier
- ⑤ Humidifier unit (UTB)
- ⑥ Drip tray humidifier

Title:	WAITROSE VISION CABINET – 5000MM
Customer / Store:	WAITROSE VARIOUS

Drawn:	
Date:	



Phoenix Retail Services Ltd

Oakridge House, Wellington Road, Cressex Business Park,
 High Wycombe HP12 3PR U.K.
 Tel: 01494 472187 Fax: 01494 464904 e-mail: sales@phoenixretail.com