

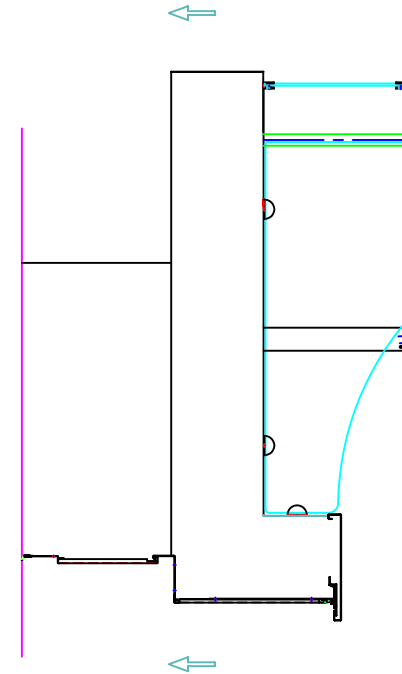
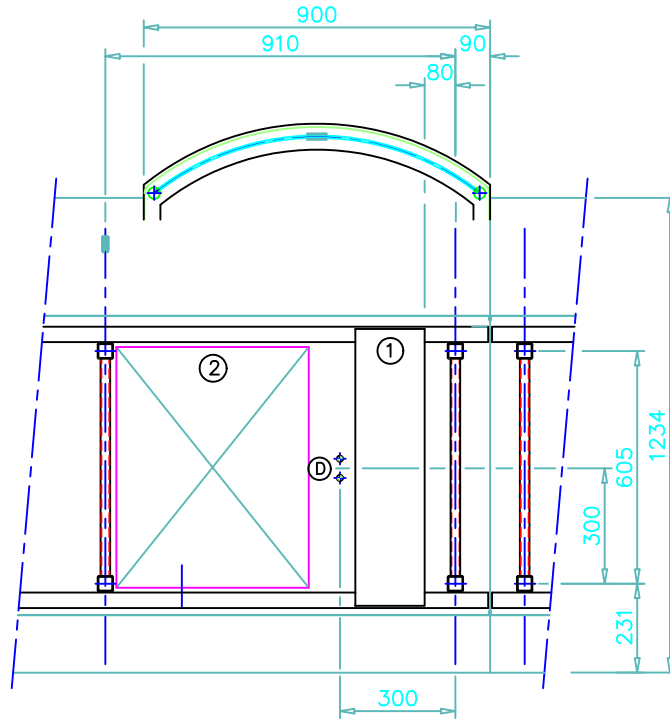
Drawing No.: PRSA4-008	Issue: -	Issue Date:
------------------------	----------	-------------

Rev	Description	Date
-----	-------------	------



Vision 5000 Floor plan
Waitrose Impulse 900mm

- ⓓ Connectionpoint cooling pipes
- ① Cooling valve panel
- ② Main connection box



Title:	WAITROSE VISION CABINET – 900mm IMPULSE
Customer / Store:	WAITROSE VARIOUS

Drawn:	
Date:	

	Phoenix Retail Services Ltd Oakridge House, Wellington Road, Cressex Business Park, High Wycombe HP12 3PR U.K. Tel: 01494 472187 Fax: 01494 464904 e-mail: sales@phoenixretail.com
--	--