
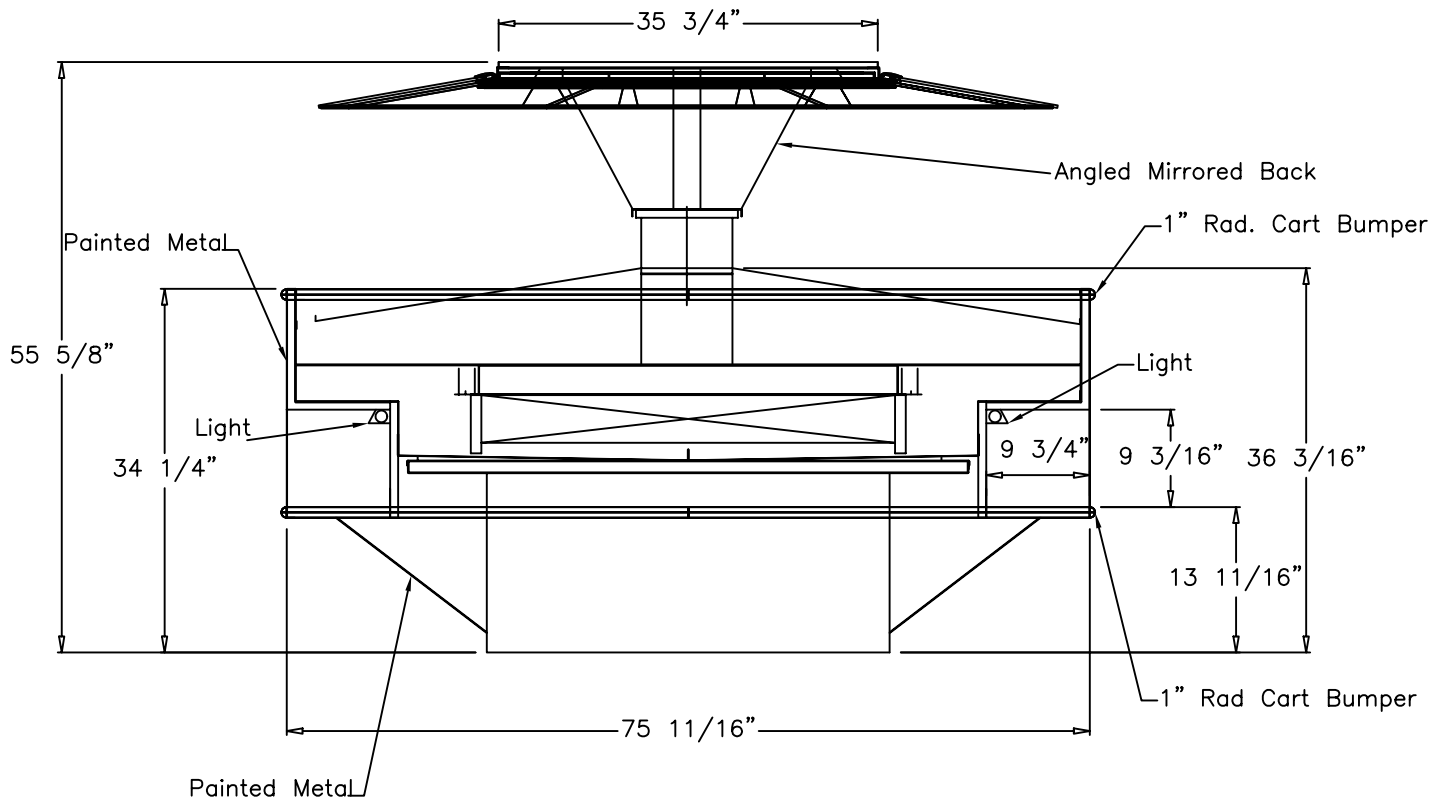


<b>DRAWING #</b> 9913	<b>REVISION</b> -	 P.O. BOX 478 KEOSAUQUA, IA 52565 PHONE: (319)293-3777 FAX: (319)293-3776	<b>CUSTOMER:</b> DI-606 OLIVE	<b>DRAFTER</b> Don Thomas
<b>DATE:</b> 2-19-01				<b>SCALE</b> NONE
<b>PROJECT #</b>				
<b>ORDER #</b>				

SHEET 1 OF 2



DRAWING # 9913

REVISION

-



P.O. BOX 478  
KEOSAUQUA, IA 52565  
PHONE: (319)293-3777  
FAX: (319)293-3776

CUSTOMER:

DI-606 OLIVE

DRAFTER  
Don Thomas

SCALE  
NONE

DATE: 2-19-01

PROJECT #

ORDER #

SHEET 2 OF 2

76 11/16"

