

DRAWING # 15385

REVISION

-  
-----



P.O. BOX 478  
KEOSAUQUA, IA 52565  
PHONE: (319)293-3777  
FAX: (319)293-3776

CUSTOMER:

WAITROSE  
DI-606 SALAD

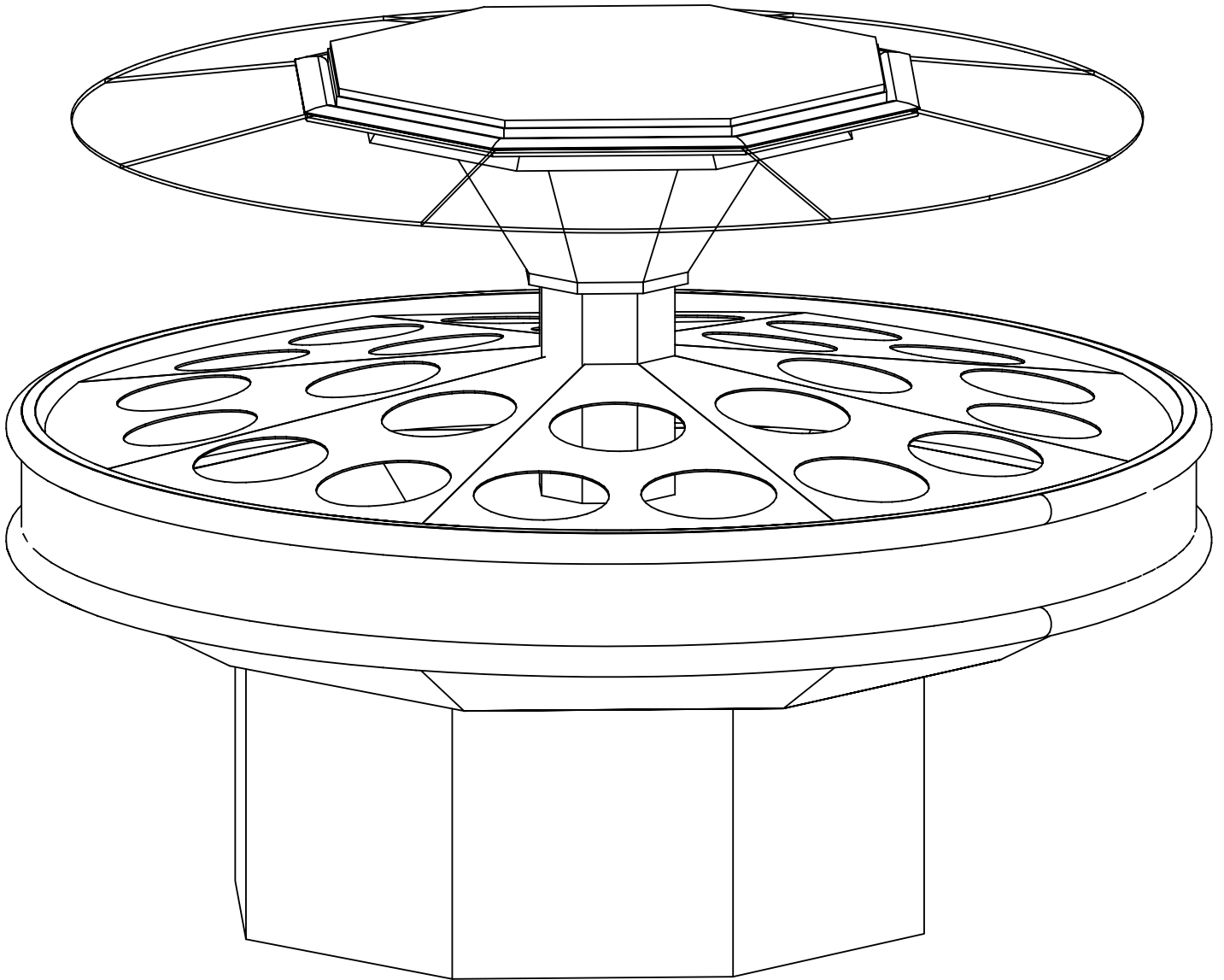
DRAFTER  
DUSTIN RODIBAUGH

SCALE  
NONE

PROJECT #

ORDER #

SHEET 1 OF 2



DRAWING # 15385

REVISION

-



P.O. BOX 478  
KEOSAUQUA, IA 52565  
PHONE: (319)293-3777  
FAX: (319)293-3776

CUSTOMER:

WAITROSE  
DI-606 SALAD

DRAFTER  
DUSTIN RODIBAUGH

DATE: 5/30/03

SCALE  
NONE

PROJECT #

ORDER #

SHEET 2 OF 2

