

DRAWING # 14353

REVISION



P.O. BOX 478  
KEOSAUQUA, IA 52565  
PHONE: (319)293-3777  
FAX: (319)293-3776

CUSTOMER:

WAITROSE  
DI-606 OLIVE

DRAFTER  
DUSTIN RODIBAUGH

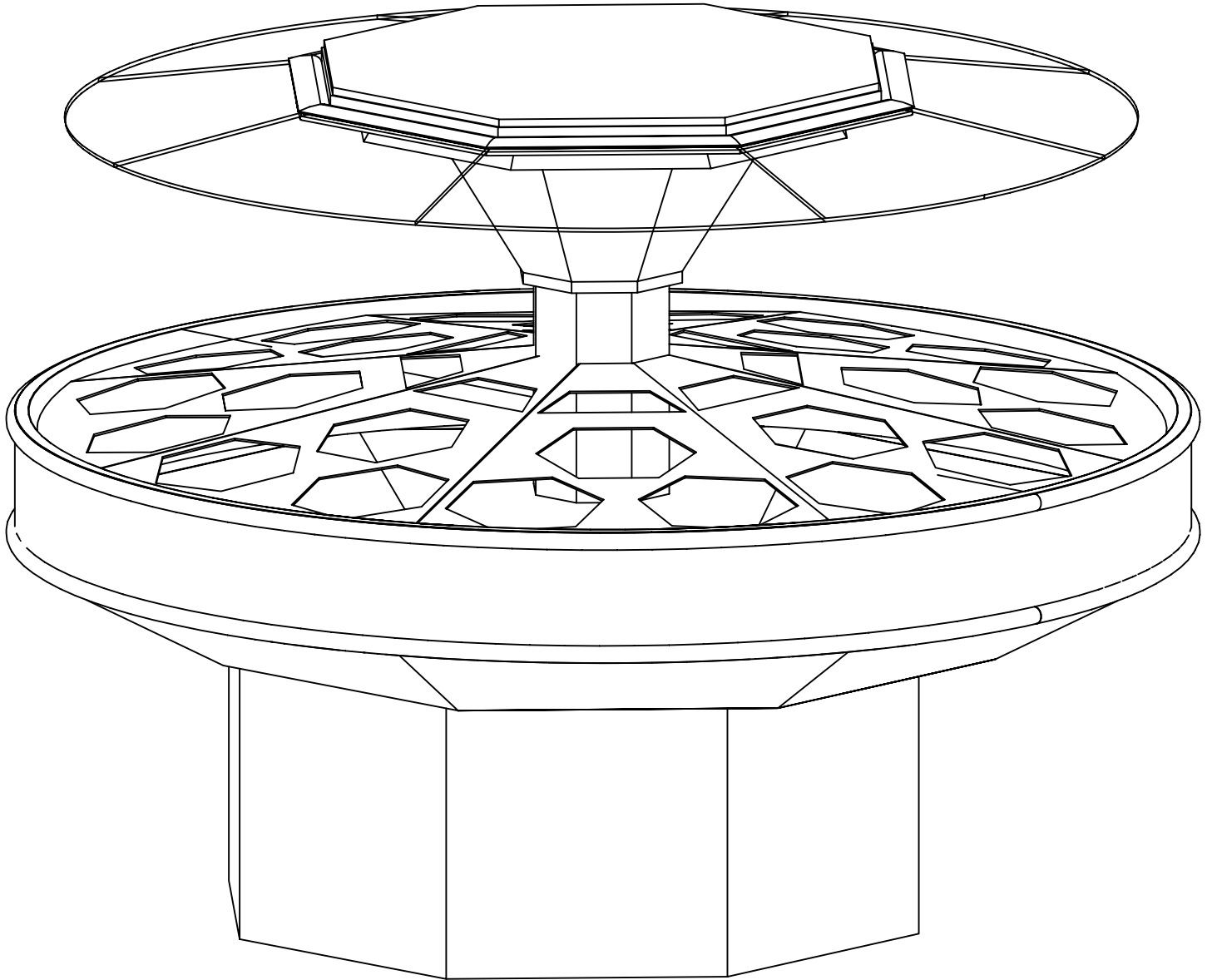
DATE: 2/10/03

PROJECT #

ORDER #

SCALE  
NONE

SHEET 1 OF 2



DRAWING # 14353

REVISION



P.O. BOX 478  
KEOSAUQUA, IA 52565  
PHONE: (319)293-3777  
FAX: (319)293-3776

CUSTOMER:

WAITROSE  
DI-606 OLIVE

DRAFTER  
DUSTIN RODIBAUGH

DATE: 2/10/03

PROJECT #

ORDER #

SCALE  
NONE

SHEET 2 OF 2

